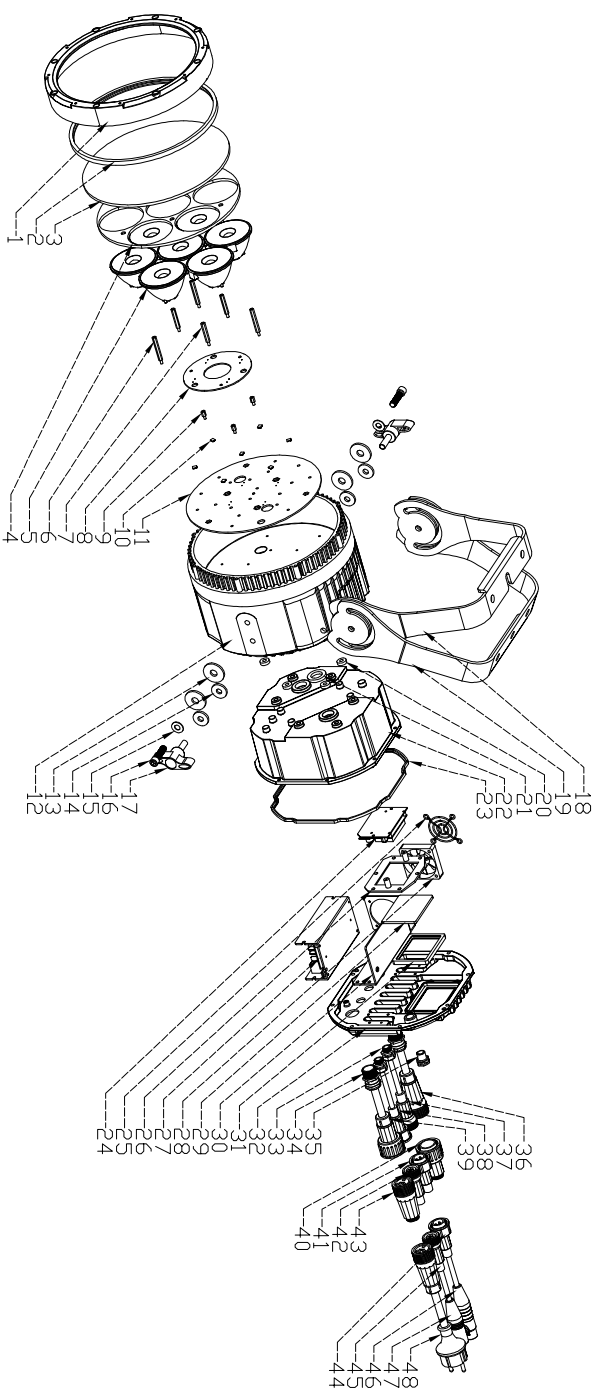


SN.	PART CODE	DRAWT. NO.	ITEM NO.	QTY
1	7060000058	LA3140-02	front cover	1
2	7030200019	LA3140-04	waterproof silicone ropeA	1
3	5070000012	LA3140-05	toughen grass	1
4	70102011028	YB30201-02	lens pressing plate	1
5	5030100045	570304-38	lens	7
6	7020300022		copper pillar: M3*37.6	3
7	7020300020		copper pillar: M3*30.6	3
8	8010051700	YB30201-01-B-001	driver PCB	1
9	7020300000	LA3155-01	copper pillar1 (short)	3
10	5020100021	PBE-A-15FTE-D	LED	7
11	8010056900	YB30201-03C-001	LED PCB	1
12	70601000338	YB30201-01	light housing	1
13	7020202004		M12 outer gasket	1
14	7030100146		round washer: Ø22×Ø8×3	4
15	7020200000		flat washer: Ø17×Ø8×1	2
16	7020001019	LA3158-04	cup head screw: M8×30	2
17	7020600003		S* knob	2
18	70103000718	LA3159-28A-04	bracket A	1
19	70103000728	LA3159-28A-05	bracket B	1
20	7030200006	JS-1Y-LA-860-J0C	waterproof silicone ropeC	6
21	7030200005	JS-1Y-LA-860-J0B	waterproof silicone ropeB	2
22	70602000128	LA3159-02	back cover	1
23	7030200022	LA3150-03	waterproof silicone D	1
24	8061042200	GPS30422-1101	tough screen	1
25	8010054700	YB30401-02A-001		1
26	70102004758	LA3158-05	fans filter	1
27	5040000104	K24H-UP160S5	silicone pressing plate	1
28	5010000031		fans: DFH90108	1
29	5070000017	LA3702-04	toughen grass for display	1
30	7010201221	YA30201-01	power dead plate	1
31	7030200024	LA3702-03	waterproof silicone	1
32	70602000138	LA3159-28A-01	waterproof plug: PG7	2
33	6120500007		waterproof plug: PG11	2
34	6120500005		thread respirator: M12*1.5HA	1
35	7030100105		power extension cable (female): 3*1.5MM	1
36	5060206001	XC-DY-70	power extension cable (female): 3*1.5MM	1
37	5060206003	XC-DY-71	power extension cable (female): 16MM/2C	1
38	5060605005	XC-XH-25	DMX extension cable (female)	1
39	5060206001	XC-DY-70	power extension cable (male): 3*1.5MM	1
40	5060206003	XC-DY-71	power extension cable (male): 16MM/2C	1
41	6120600012	XC-XH-D101	terminal (male): Ø24-1	1
42	6120600013		terminal for DMX extension cable (cut): Ø24-1	1
43	6120600011		terminal (out): Ø29*60MM	1
44	5060604010	XC-XH-28	DMX cable (11): Ø24-1	1
45	5060604009	XC-XH-27	DMX cable (out): Ø24-1	1
46	6120800005		DMX plug (female): 3P	1
47	6120800004		DMX plug (male): 3P	1
48	5060207002	XC-DY-72	power cable for gauge: 3*1.5MM L=183MM	1
49	5060209001	XC-DY-73	power cable for fordsK: 16MM/2C L=1000	1
50				



名称	折弯	折弯角	喷漆厚度	GB/T1804-2000 线性尺寸的极限偏差数值
尺寸范围(mm)	0-50	50-300	>15'	0.02
公差(±mm)	±0.1	±0.25	±1	
范围(mm)	0.5-3	3-6	6-30	30-120
f (精密)	±0.05	±0.05	±0.1	±0.15
m (中等)	±0.1	±0.1	±0.2	±0.3
e (粗糙)	±0.2	±0.3	±0.5	±0.8
v (最粗)	±0.5	±1	±1.5	±2.5
				±6
				±8

**CKC 广州腾林照明灯具有限公司**  
CKC LIGHTING CO.,LTD.

制图: 黄俊杰 2015-09-15  
审核: 审核  
名称: 产品爆炸图  
图号: YA30201-BZ-00

数量: 1  
表面处理: 表面处理  
材料: 组件  
比例: 1:1/CAD  
版: 本  
第 1 页/共 1 页

PLZM-DG-001